



JCC

Lighting for **today**, designs for **tomorrow**

COMMERCIAL LED LIGHTING SOLUTIONS

- ▶ **70% ENERGY SAVINGS**
- ▶ **MAINTENANCE FREE**
- ▶ **HIGH QUALITY OF LIGHT**



OFFICES • SCHOOLS • HOSPITALS • RESTAURANTS • HOTELS • RETAIL

Discover Dream Relax

Your total commercial LED lighting solution from JCC

JCC Lighting is a leader in bringing quality, high performance LED lighting products to market. We pride ourselves on developing innovative, low energy products using the latest LED technology. We offer a total LED lighting solution for a wide variety of commercial applications; from offices and schools to hospitals and hotels. The products on the following pages demonstrate how LED lighting can create a successful low energy lighting scheme with great visual appeal.

All the products within this brochure are ideal for retrofitting into existing fluorescent installations with significant energy savings of up to 70%. For added reassurance, our LED products are also backed with an extended warranty of five years.

In addition to supplying ground breaking quality products, we also offer our customers a full range of technical support including lighting design, project management and a U.K. stock holding enabling us to turn projects around at one of the fastest paces in the industry.

To contact JCC and find out more about how we can work with you on your next project please contact us on:

ledsales@jcc-lighting.co.uk or 01243 829040

JCC

Q Why choose LED lighting?

- A
- Significantly less power use than other light sources and many times longer life
 - The quality of the light is preferable to fluorescent or halogen
 - Lack of UV prevents fading or degradation of fabrics in retail and display areas
 - Eliminates the need for a re-lamping program over the life of the product

Q Can LEDs replace fluorescent lighting?

- A
- LEDs are now the ideal light source for most commercial applications
 - Excellent colour rendering or quality of light
 - A closer colour temperature to natural daylight

Q What is the energy saving?

- A
- 44W energy saving from a 28W JCC Breera LED flat panel against a 4 x 18W fluorescent (72W per fitting)
 - An LED fitting will typically deliver around 70% energy savings in comparison to most other light sources

Q Will there be enough light?

- A
- Light output from the JCC LED range is not compromised by the high efficiency and low Wattage
 - CIBSE recommendations for interior lighting levels are achieved whilst still meeting the saving guidelines

Q How long will they last?

- A
- JCC LED products last a minimum of 35,000 hours with many lasting 50,000 hours and above

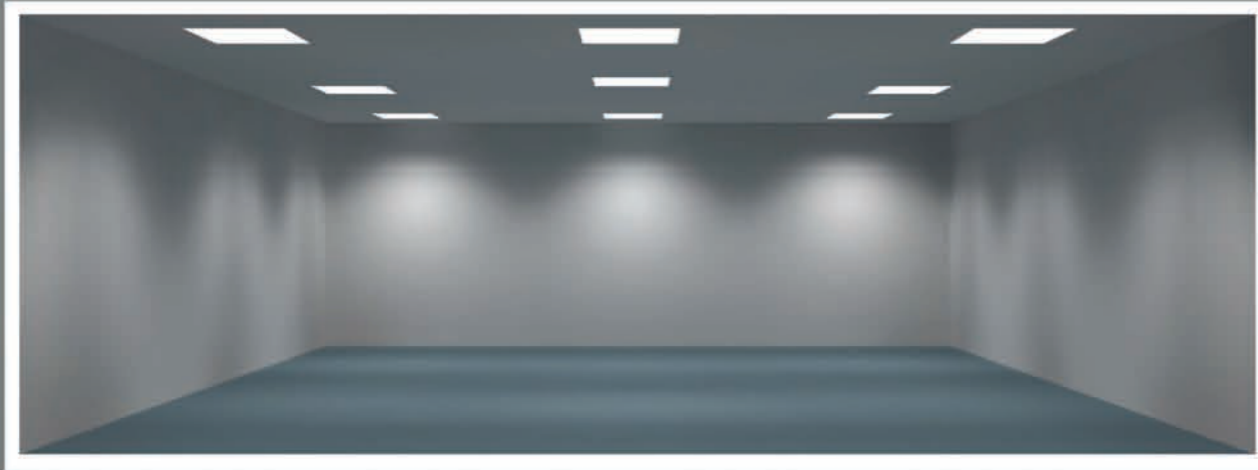
Q Can I have emergency options?

- A
- All JCC LED products have emergency options available that are fully in line with British standard recommendations

Q How much money will I save?

- A
- This depends on your current energy charges and the specifics of your installation but the chart on the following page provides a typical example

Traditional Fluorescent Lighting Scheme

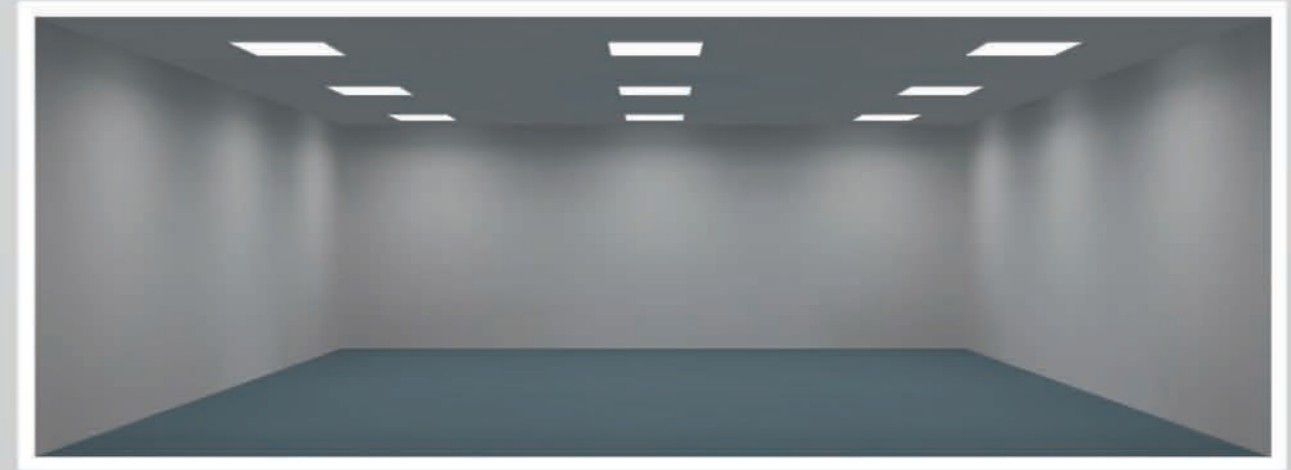


Typical T8 CAT 2 Fitting

4 x 18W T8 CAT 2	No of Luminaires	9
	No of Lamps per Fitting	4
	Circuit Watts	92
	Burning Hrs per Annum	3,120
	Tariff £/kwh	0.12
	Average Lamp Life Hrs	10,000
	ANNUAL RUNNING COST	£310.00

- *Dark ceilings and walls caused by the traditional louvre design*
- *Lamp and gear replacement programme required across the life of installation*
- *Depreciation of light output as the fluorescent tube ages*

New LED Lighting Scheme



Breera LED Flat Panel

1 x 28W Breera LED Flat Panel	No of Luminaires	9
	No of Lamps per Fitting	1
	Circuit Watts	28
	Burning Hrs per Annum	3,120
	Tariff £/kwh	0.12
	Average Lamp Life Hrs	40,000
	ANNUAL RUNNING COST	£94.35

- **70% energy savings against fluorescent**
- **Significantly reduces dark corners by providing an even distribution of light**
- **Maintenance free**

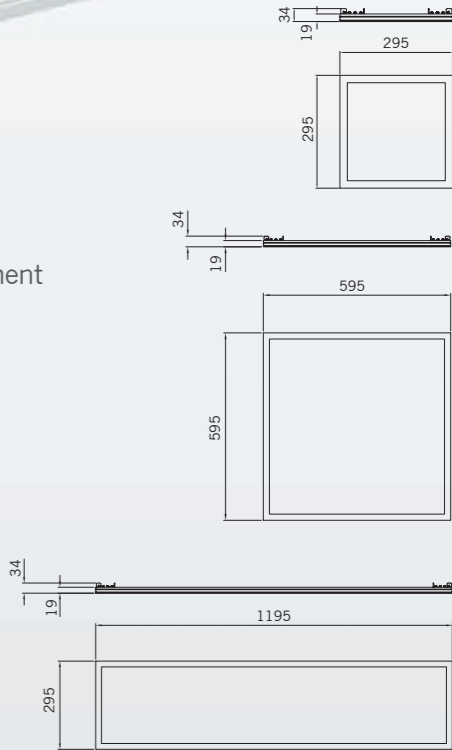


BreeraLED

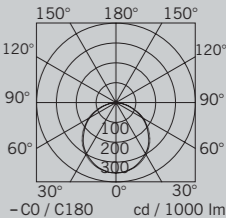
FLAT PANEL



- High performance LED recessed flat panel
- Very high quality of light for a comfortable working environment
- Ideal retrofit into all existing 600 x 600mm ceiling grids
- Double skin opal diffusing panel with internal honeycomb refractor system for even light distribution
- Only 28W per fitting for the 600 x 600 version
- 40,000 hours average life
- Suitable for use with movement and daylight detectors for further reduction in energy consumption
- Full photometry available on the JCC website



Code	Description	Total Wattage
JC71197	LED Panel 300 x 300	11W
JC71187	Emergency LED panel 300 x 300	11W
JC71198	LED Panel 600 x 600	28W
JC71188	Emergency LED panel 600 x 600	28W
JC71199	LED Panel 300 x 1200	45W
JC71189	Emergency LED panel 300 x 1200	45W
JC71268	Wire suspension kit	-
JC71262	Surface mounting box 600 x 600	-



28W JC71198



Technical Information	Colour Temp: Cool white 6500K/CRI: Ra (75)	Lumens: 1950 (28W)
	Light Source: High Output LED	Lumens per Circuit Watt: 69



Case Study

First Choice

Low Energy LED Lighting Solution

Client Brief

JCC were chosen by First Choice Holidays to create a low energy LED lighting solution for their new concept holiday superstores and shop-in-shop pods located in large department stores throughout the UK. First Choice needed to achieve two key objectives with the new lighting scheme:

- to complement the theme of the new superstores and offer a more relaxed experience for booking a holiday
- to improve lighting intensity and reduce heat levels offering a safer and more comfortable environment for both staff and customers

The JCC Solution

The Aztek spotlight range was selected throughout the store due to its high output, long life and versatility. Black versions of the 10W LED spotlights were used across the main store on black Mainline track, providing the effect of 'disappearing' into the ceiling void.

Rakula 16.8W LED downlights were utilised in floating 'cloud' units throughout the store, highlighting specific messaging to customers. Rakula LED downlights provide a high output performance and are perfectly suited to commercial applications of this kind due to their long life and wide light distribution.

At the front of the store the welcome counter features the Ragoza LED strip, used as a hidden highlight feature under the pelmet of the counter. This discreet, flexible striplight LED system allows an even illumination without thermal effects, ideal for an area that may be accessible to children. With a lifetime of 50,000 hours, Ragoza offers a low maintenance low energy lighting solution which was perfectly suited for First Choices requirements.

A Successful Conclusion

JCC were able to implement a low energy LED solution and create the exact environment that First Choice had set out to achieve. By carefully selecting the best lighting solution, JCC were able to ensure excellent colour rendering throughout, enhancing the vivid colour scheme and shop fittings across the stores.

Most importantly, one of the main focuses as a lighting manufacturer is to provide cost savings to customers; JCC were able to lower the energy consumption used by First Choice stores and extend the lamp life by up to four times, simply by offering an LED solution.

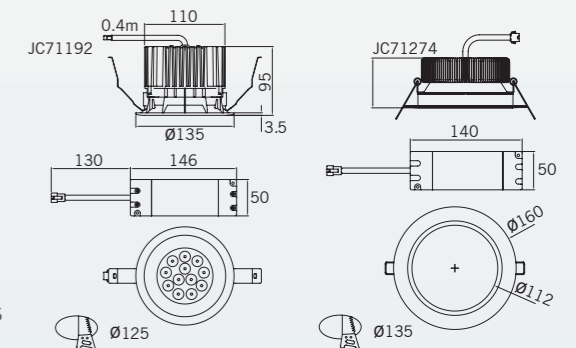


RakulaLED

DOWNLIGHTS



- A family of contemporary recessed LED downlights that perfectly complement the Breera LED flat panel in reception and circulation areas
- 40,000 hours average life
- Five year warranty
- High output, suitable for commercial applications
- Emergency versions available
- Warm white versions available to order
- Suitable for use with movement and daylight detectors for further reduction in energy consumption
- Full photometry available on the JCC website



Nearest Equivalent

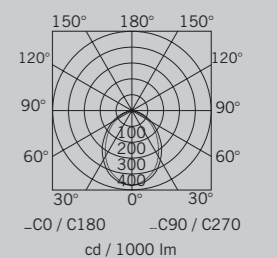
JC71192 = 32W compact fluorescent
 JC71274 = 2 x 26W compact fluorescent

Code

Description

Total Wattage

JC71192	LED recessed downlight	16.8W
JC71182	Emergency LED recessed downlight	16.8W
JC71274	High output LED recessed downlight	27W
JC71807	Emergency high output LED recessed downlight	27W



Technical Information

Colour Temp: Cool White 4000K
 Light Source: High Output LED

Lumens: 1330 (27W)
 Lumens per Circuit Watt: 49



JCC[™]

COMMERCIALLED

SOLUTIONS

JCC Lighting
Sales Tel: 01243 838999
Sales Fax: 01243 838998
Email: ledsales@jcc-lighting.co.uk
Web: jcc-lighting.co.uk

The perfect solution for:

- Offices
- Schools
- Hospitals
- Restaurants
- Hotels
- Retail

© JCC Lighting Products Limited 2011 LIT0039

www.jcc-lighting.co.uk